

INVENGO XC-AF11 HIGH PERFORMANCE



About Invengo's XC-AF11 High Performance Antenna

Invengo's XC-AF11 antenna offers high gain, ruggedness and excellent shock and vibration resistance in a unique design. The XC-AF11 linear polarized antenna is ideal for transportation, logistics, warehousing and asset tracking applications.



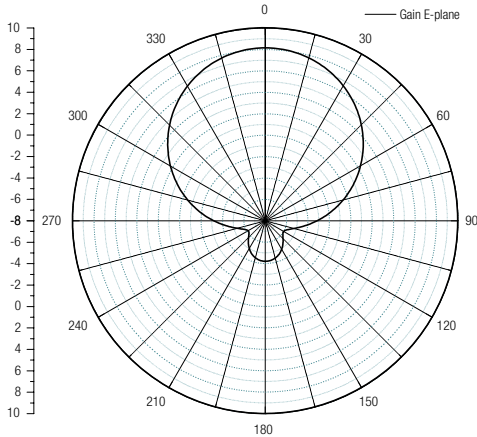
Invengo – the global RFID technology provider – is a leading developer and manufacturer of high quality, intelligent RAIN RFID and HF/NFC connectivity solutions and consumables (tags & inlays) utilized in the Internet of Things. With a focus on RFID innovation, Invengo has created a leading product line in retail, (industrial) laundry, library, (public) transportation, healthcare, and many other industries.

Invengo Technology Pte. Ltd. (SG) is the International Headquarters of Invengo Information Technology Co. Ltd, listed on Shenzhen Stock Exchange (SZSE: 002161.SZ). Employing over 600 people globally, Invengo is one of the largest publicly traded, RFID / IoT oriented companies in the world.

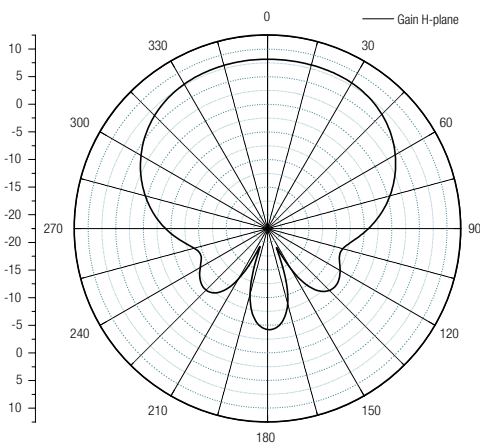
Features

- Operating Frequency
840 ~ 868 MHz and 902 ~ 928 MHz
- High Gain
- Linear Polarization
- Low VSWR
- Protection Level: IP65
- Durable and clean design
- Simple installation and maintenance

Radiation Pattern

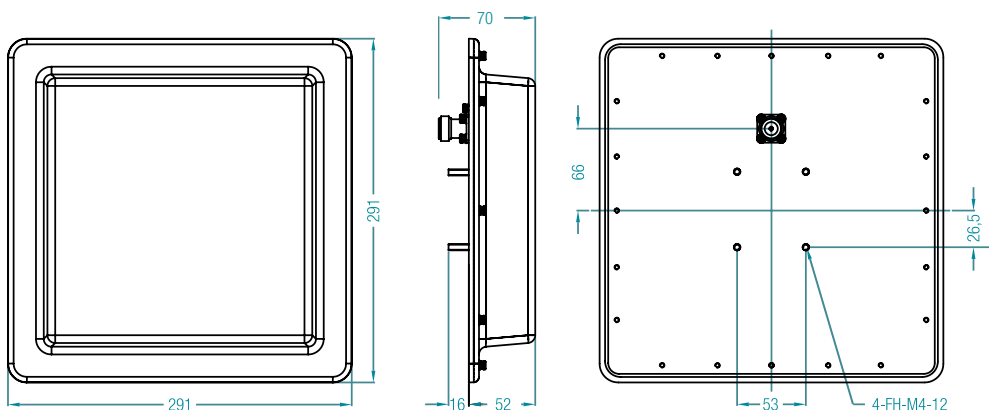


E Phase



H Phase

Mounting Bracket



Product Specifications

Performance Parameter

Operating Frequency	840 ~ 868 MHz 902 ~ 928 MHz
VSWR	≤ 1.4:1
Gain	7.15 dBi
H-Plane HPBW	60°
E-Plane HPBW	70°
Polarization	Linear
Antenna Impedance	50 Ω

Environmental

Operating Temperature	-40°C to 70°C (-40°F to 158°F)
Storage Temperature	-40°C to 70°C (-40°F to 158°F)
Humidity Range	5% ~ 95% RH
Protection Level	IP65

Physical Parameters

Dimensions	291 x 291 x 52 mm 11.5 x 11.5 x 2 in
Weight	Approx. 0,91 kg / 2.0 Lbs
Case Material	Plastic ASA, Aluminium

Models

ID	XC-AF11-FCC (902~928MHz) XC-AF11-ETSI (840~868MHz)
-----------	---

APAC

Invengo Technology Pte. Ltd
10 Kallang Avenue
#05-15 Tower 2, Aperia
Singapore 339510

Office: +65 6702 3909
sales.apac@invengo.com

Americas

Invengo Technology Corp.
2700-160 Sumner Blvd.
Raleigh, NC 27616
United States of America

Office: +1 919 890 0202
sales.americas@invengo.com

EMEA

Invengo Technologies
180 Voie Ariane – Athélia 1
13600 La Ciotat
France

Office: +33 413 96 1111
sales.emea@invengo.com